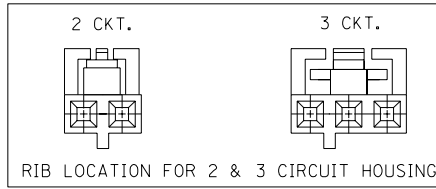


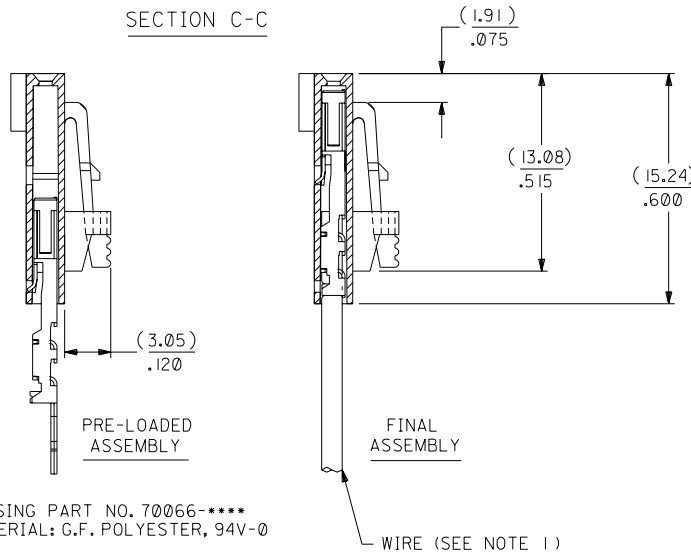
OPTION G

NOTES:

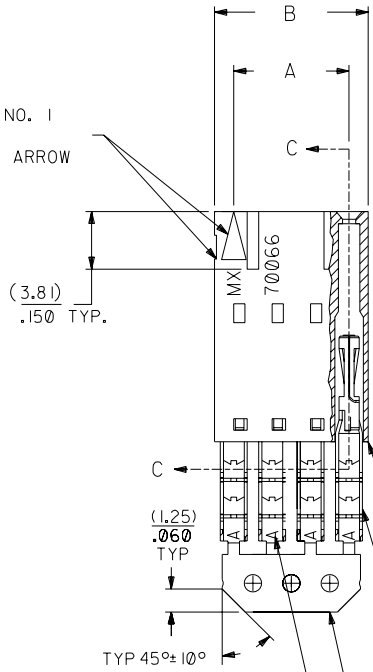
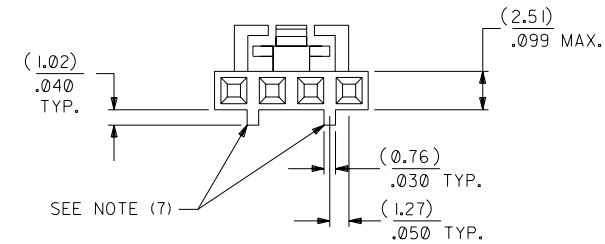
- TO BE USED WITH (24) AWG. STRANDED WIRE WITH (1.35)/.053 DIA. MAX. INSULATION.
- SEE CHART FOR CIRCUIT SIZES.
- STANDARD PACKAGING PER PK-70873-0001. OPTIONAL PACKAGING MAY BE AVAILABLE, REQUEST DWG. PK-70400
- PARTS STACKABLE END TO END ON (2.54)/.100 CENTERS.
- REFER TO PRODUCT SPECIFICATION: PS-70400.
- SEE DWG. SDA-70400-**** (SHT. 5) FOR OPTIONAL HOUSING DETAILS.
- 4 CIRCUIT SHOWN. 4 - 25 CKT'S. HAVE (2) RIBS.
- TO MATE WITH MOLEX PART NO'S.: A-70375-****, A-70389-****, A-70391-****, 70107-****, 70018-****, A-70543-****, A-70553-****, A-70541-****, A-70551-****, A-70545-****, A-70555-****.
- 2 CIRCUIT ASSEMBLIES SUPPLIED AS GROUPED PAIRS.



SECTION C-C



CIRCUIT NO. 1
SLOT OR ARROW



HOUSING PART NO. 70066-****
MATERIAL: G.F. POLYESTER, 94V-0

TERMINAL PART NO. 70028-****
MATERIAL: PHOSPHOR BRONZE
PLATING PER ES-88-***

15 GOLD - .000015 MIN. GOLD IN SELECT AREA WITH .000075 MIN. TIN IN SELECT AREA OVER .000050 MIN. NICKEL OVER-ALL.

*THE PRIMARY SHIPPING CARTON WILL BE LABELED "COMPLIANT TO ROHS DIRECTIVE 2002/95/EC AND ELV ANNEX II OF DIRECTIVE 2000/53/EC". CARTONS WITHOUT THIS LABEL MAY CONTAIN PRODUCT WITH LEAD.

I.D. SLOT CODE TO WIRE GAUGE CHART	
I.D. SLOT CODE	WIRE GAUGE
A	24 AWG.

PLATING CODE (STRIPE ON CARRIER STRIP)	
PLATING	COLOR
15 GOLD	YELLOW

CKT. SIZE	A	B	EDP. NO.	ENG. NO.
2	(2.54) .100	(5.05) .199	14-56-2022	A-70400-0666
3	(5.08) .200	(7.59) .299	14-56-2032	A-70400-0667
4	(7.62) .300	(10.13) .399	14-56-2042	A-70400-0668
5	(10.16) .400	(12.67) .499	14-56-2052	A-70400-0669
6	(12.70) .500	(15.21) .599	14-56-2062	A-70400-0670
7	(15.24) .600	(17.75) .699	14-56-2072	A-70400-0671
8	(17.78) .700	(20.29) .799	14-56-2082	A-70400-0672
9	(20.32) .800	(22.83) .899	14-56-2092	A-70400-0673
10	(22.86) .900	(25.37) .999	14-56-2102	A-70400-0674
11	(25.54) 1.000	(27.91) 1.099	14-56-2112	A-70400-0675
12	(27.94) 1.100	(30.45) 1.199	14-56-2122	A-70400-0676
13	(30.48) 1.200	(32.99) 1.299	14-56-2132	A-70400-0677
14	(33.02) 1.300	(35.53) 1.399	14-56-2142	A-70400-0678
15	(35.56) 1.400	(38.07) 1.499	14-56-2152	A-70400-0679
16	(38.01) 1.500	(40.61) 1.599	14-56-2162	A-70400-0680
17	(40.64) 1.600	(43.15) 1.699	14-56-2172	A-70400-0681
18	(43.18) 1.700	(45.69) 1.799	14-56-2182	A-70400-0682
19	(45.72) 1.800	(48.23) 1.899	14-56-2192	A-70400-0683
20	(48.26) 1.900	(50.77) 1.999	14-56-2202	A-70400-0684
21	(50.80) 2.000	(53.31) 2.099	14-56-2212	A-70400-0685
22	(53.34) 2.100	(55.85) 2.199	14-56-2222	A-70400-0686
23	(55.88) 2.200	(58.39) 2.299	14-56-2232	A-70400-0687
24	(58.42) 2.300	(60.93) 2.399	14-56-2242	A-70400-0688
25	(60.96) 2.400	(63.47) 2.499	14-56-2252	A-70400-0689

LTR.	REVISIONS	LTR.	REVISIONS
	G I		F
	G		F
	H		F

DRWG. BY	CHK'D. BY	SCALE
WAZ	WAZ	4 : 1

DIMENSIONS SHOWN (METRIC) INCH UNLESS OTHERWISE SPECIFIED TOLERANCES: ANGULAR ± 1/2°		REVISE ONLY ON CAD SYSTEM	
3 PLACE ± .010	METRIC ---	TITLE ASSEMBLY, SL CONNECTOR (SINGLE ROW- (2.54)/.100 GRID)	
2 PLACE ± .014	± 0.25	MOLEX INCORPORATED SHEET NO. DATE 10/09/84	
1 PLACE ---	± 0.35	PART NO. SDA-70400-0666-0689	
DRAWING INFORMATION		THIS DRAWING CONTAINS INFORMATION THAT IS PROPRIETARY TO MOLEX INC. AND SHOULD NOT BE USED WITHOUT WRITTEN PERMISSION.	

MFG. SH. REV.

70400